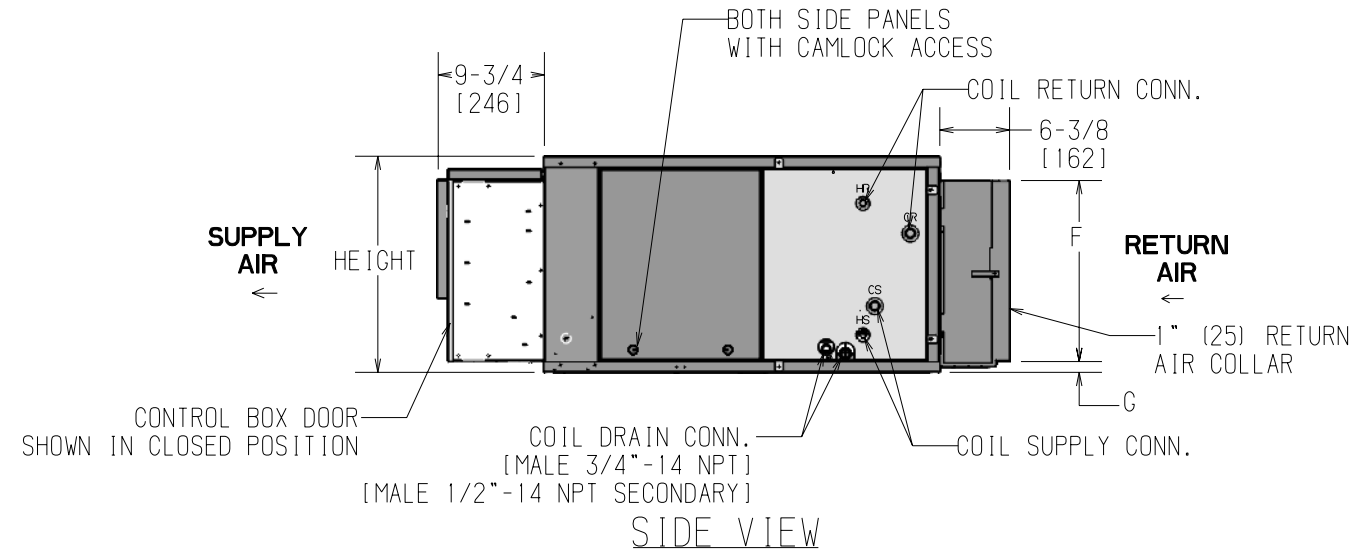
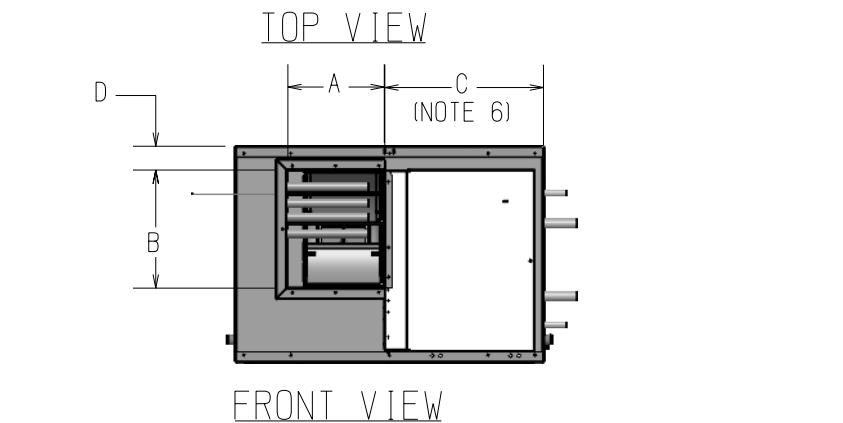
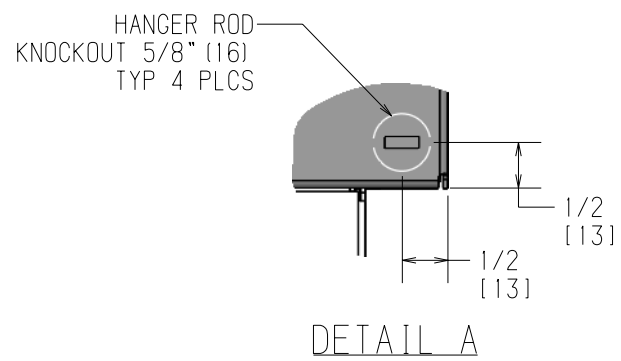
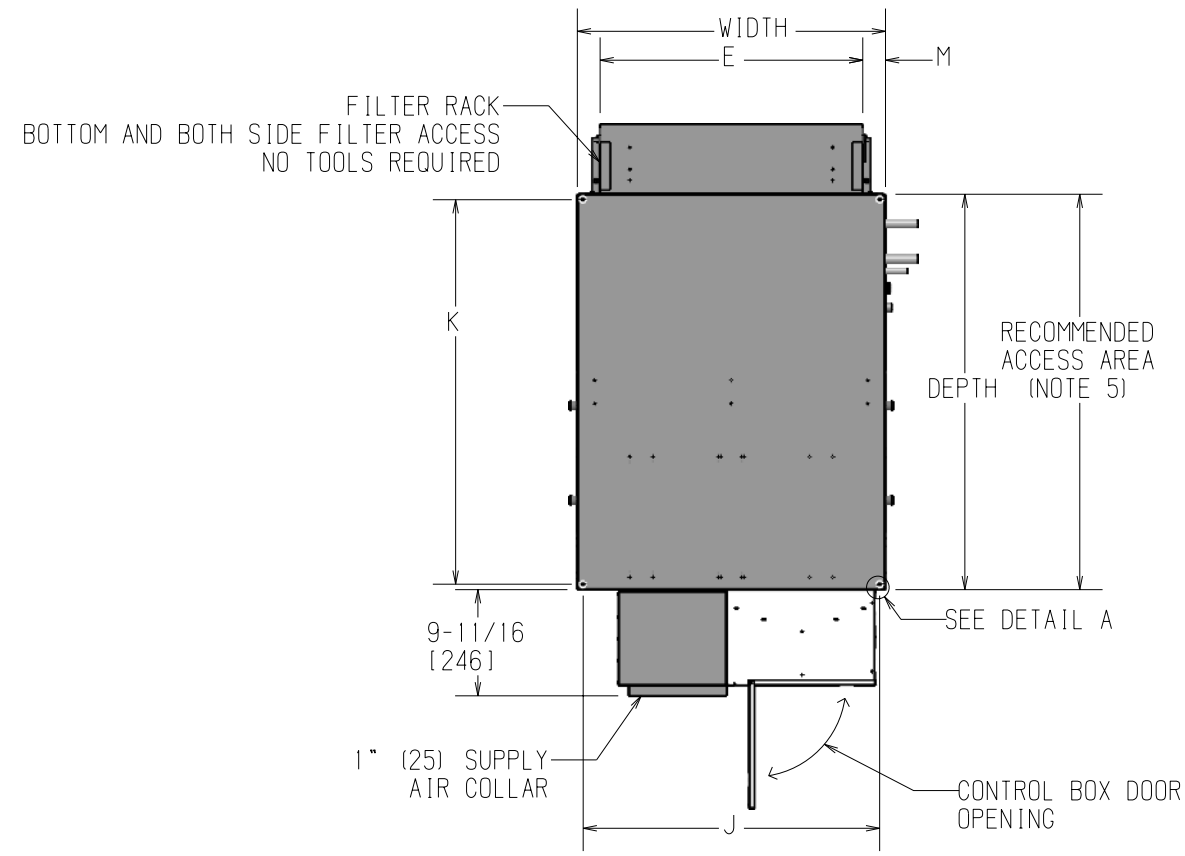


REVISION HISTORY		
REV	DATE	ECN
-	08/25/10	10-1273
A	05/04/17	17-0582
B	10/14/19	19-1132
C	04/15/24	24-0350



- NOTES:
1. RH COIL SHOWN. LH OPPOSITE.
  2. ALL DIMENSIONS ARE +/- .25 (6). DRAWING NOT TO SCALE.
  3. PRODUCT SPECIFICATIONS ARE SUBJECT TO CHANGE WITHOUT NOTICE.
  4. DIMENSIONS IN PARENTHESIS ARE IN MILLIMETERS.
  5. ALLOW ADEQUATE SPACING FOR MANUEVERABILITY AROUND UNIT TO ALLOW SERVICE THROUGH RECOMMENDED ACCESS AREA.
  6. "C" DIMENSION IS MEASURED FROM COIL SIDE UNIT.
  7. MIXING BOX OPTION WILL VARY RETURN DUCT DIMENSIONS. REFER TO MIXING BOX SUBMITTAL

SIZE	FAN SIZE	DEPTH	WIDTH	HEIGHT	SUPPLY DUCT				RETURN DUCT			MOUNTING HOLES		M
					A	B	C	D	E	F	G	J	K	
HBD 06	9X4	36 (914)	28 (711)	19-3/4 (502)	8-7/8 (225)	10-1/2 (267)	14-1/2 (368)	2-1/4 (57)	24 (610)	16-1/2 (419)	1 (25)	27-1/4 (686)	35-1/4 (895)	2 (51)
HBD 08	9X6	36 (914)	28 (711)	19-3/4 (502)	8-7/8 (225)	10-1/2 (267)	14 (356)	2-1/4 (57)	24 (610)	16-1/2 (419)	1 (25)	27-1/4 (686)	35-1/4 (895)	2 (51)
HBD 10	10X4	37-1/2 (953)	37 (940)	21-1/2 (546)	10-3/8 (264)	11-5/8 (295)	15-1/4 (387)	2-1/4 (57)	33 (838)	18-1/4 (464)	1 (25)	36-1/4 (921)	37 (940)	2 (51)
HBD 12	10X7	37-1/2 (953)	37 (940)	21-1/2 (546)	10-3/8 (264)	11-5/8 (295)	14 (356)	2-1/4 (57)	33 (838)	18-1/4 (464)	1 (25)	36-1/4 (921)	37 (940)	2 (51)
HBD 16	11X10	37-3/4 (959)	47 (1194)	21-1/2 (546)	13-7/8 (352)	12-3/4 (324)	16-3/4 (425)	2-1/4 (57)	43 (1092)	18-1/4 (464)	1 (25)	46-1/4 (1175)	37 (940)	2 (51)
HBD 20	12X9	40-1/4 (1022)	48 (1219)	24 (610)	13 (330)	13-3/4 (349)	17-3/4 (451)	2-1/4 (57)	44 (1118)	20-3/4 (527)	1 (25)	47-1/4 (1200)	39-1/2 (1033)	2 (51)
HBD 30	12X12	40-1/4 (1022)	48 (1219)	32-1/4 (819)	16-1/4 (413)	13-3/4 (349)	16 (406)	7-1/4 (184)	44 (1118)	29 (737)	1 (25)	47-1/4 (1200)	39-1/2 (1033)	2 (51)
HBD 40	15X12	43-1/2 (1105)	62 (1575)	32-1/4 (819)	16-3/4 (425)	16-1/8 (410)	22-3/4 (578)	6-1/4 (159)	58 (1473)	29 (737)	1 (25)	61-1/4 (1556)	42-1/2 (1080)	2 (51)



**HORIZONTAL BELT DRIVE  
ELECT HEAT**

DWG NO: **1100-90011617** REV: **C**

DRAWN: J. FUSON	DATE: 03/20/12	APPROVED: J. GRAVES	DATE: 03/20/12
-----------------	----------------	---------------------	----------------